

3 Channels 1A DC/DC Step-Down PMU

FEATURES

- 2.7V to 6.0V Input Voltage Range
- Output Voltage as Low as 0.6V
- 100% Duty Cycle in Dropout Operation
- High-Efficiency Synchronous-Mode Operation
- Input Voltage UVP&OVP
- Thermal Fault Protection
- Internal Soft-Start
- Fixed 2.3MHz Switching Frequency
- Over-Current Protection and Hiccup
- Available in a 20-pin 3mm x 3mm QFN Package

GENERAL DESCRIPTION

The TMI7003B is a Highly integrated power management IC designed to minimize power consumption in consumer and multimedia applications. It is targeted at Tablet, Mobile Internet Devices, Personal Navigation Devices, Digital Photo Frame, Portable DVD Player, Entertaining and Education Machine. Providing a complete system power management solution, the TMI7003B integrates 3-channel synchronous buck converter. The converters are optimized for high efficiency (greater than 93%) and feature integrated low impedance FETs.

APPLICATIONS

- Digital Set-top Box (STB)
- Flat-Panel Television and Monitors
- Portable Media Player (PMP)

TYPICAL APPLICATION

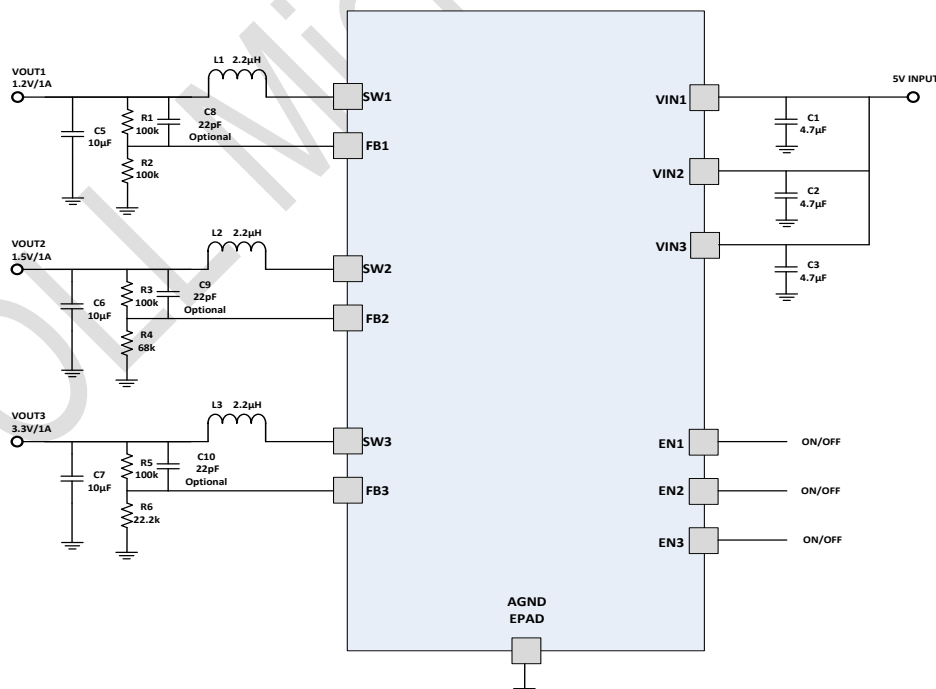


Figure 1. Basic Application Circuit